



ThermoSecure Aluminium Insulated Roller Garage Door 77 and 55 Installation and User Manual

IMPORTANT;

PLEASE READ THESE INSTRUCTIONS CAREFULLY PRIOR TO COMMENCING THE REMOVAL OF THE EXISTING GARAGE DOOR AND THE INSTALLATION OF YOUR NEW THERMOSECURE GARAGE DOOR.

ThermoSecure door has been designed to provide years of trouble-free use. The product will perform efficiently only if it is installed and operated properly.

READ THESE IMPORTANT SAFETY RULES FIRST.

This equipment must be installed and used in accordance with these instructions. Failure to follow these instructions could result in damage to the integrity of the safety circuits.



A minimum of two persons are required to install this product to ensure safe handling procedures. DO NOT wear rings/watches or loose clothing whilst installing or servicing the product. To AVOID serious personal injury from entanglement, remove any ropes connected to the equipment prior to operating the door. Gloves must be worn at all times.



Installation and wiring must be in accordance with your local building and electrical regulations. Any electrical work must be carried out by a suitably qualified person, if in doubt consult a qualified electrician. Use only the mains lead supplied with the control system. Connect the mains lead to an adjacent 13amp 3-pin switched socket. The plug must be fitted with a 13-amp fuse.

PLEASE NOTE; For optimum electrical safety this unit should be connected to circuit protected by an R.C.D (max 30 mA trip rating).



This unit should NOT be installed in a damp or wet space. **DISCONNECT ELECTRIC POWER TO THE CONTROL UNIT BEFORE MAKING REPAIRS OR REMOVING COVERS.**



Install the door control unit system (or any additional push buttons) in a location where the garage door is visible, but out of reach of children. Do not allow children to operate push button (s) or remote control (s). Serious personal injury from a closing garage door may result from misuse of the control unit system or additional buttons (s).

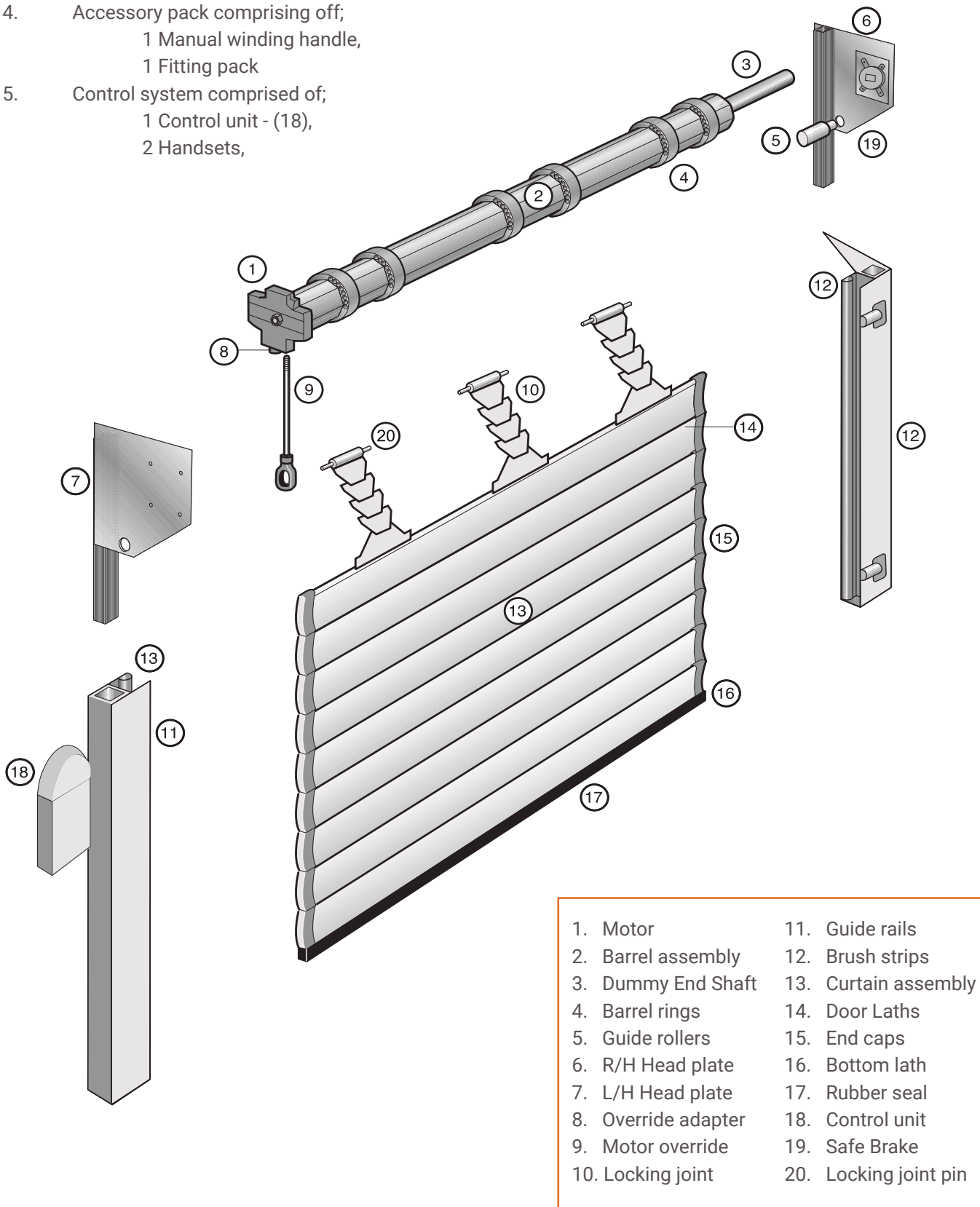
CAUTION. Activate the control system only when the door is in full view, free of obstructions and operator is properly adjusted. No one should enter or leave the garage whilst the door is in motion.

DO NOT ALLOW CHILDREN TO PLAY NEAR THE DOOR.

COMPONENT CHECK:

Unpack and check that all components are present;

1. Curtain assembly (Inc. set of locking joints) - (10)
2. Barrel assembly (pre-fitted with motor, Barrel rings, barrel, left & right-side end plate) - (1,2,3,4,6,7,9)
3. 1 pair of guide rails (Inc. brush strips) - (11,12)
4. Accessory pack comprising of;
 - 1 Manual winding handle,
 - 1 Fitting pack
5. Control system comprised of;
 - 1 Control unit - (18),
 - 2 Handsets,



1 PRE-INSTALLATION CHECK

IMPORTANT NOTE.

In case of a power failure a manual over ride system is fitted as standard but this can only be operated from inside the garage. If the garage has no service entrance or other means of entry then an exterior emergency release system must be fitted to allow manual operation of the garage door from outside.

(This is an optional extra)

1. Before removing the existing garage door, you must check the size details for your ThermoSecure garage door is compatible. Same time check the colour and specification is also correct.

2. Structural conditions of the garage opening;

Ensure the area around the opening is strong enough to support the new door.

The surface where the new door is to be fitted must be flush and reasonably smooth. Small irregularities in the brickwork will be acceptable. The lintel must not be protrude backwards or forwards from the brick pillars. Should the lintel protrude backwards or forwards of the brick piers this will require special instructions, please consult your Thermdor-UK dealer.

3. Fitting notes;

3.1. **It is recommended that a minimum of 2 people are available for fitting all door sizes.**

3.2. The door must be fitted square and level, irrespective of the shape of the opening. On no account should any compensation be made to suit an irregular opening.

3.3. Ensure all necessary tools are to hand before starting.

3.4. The door package and its contents should be checked for obvious damage before removal of the packaging.

IF THERE IS ANY DAMAGE YOUR SUPPLIER SHOULD BE CONTACTED IMMEDIATELY.

4. Ensure there is a suitable 13-amp 3-pin switched socket adjacent to where the control box is to be fitted (see safety rules).

5. Ensure all tools and door components are gathered together inside the garage prior to starting the Installation.

Tools required:

2 Step ladders	3.8 Drill bit
Spirit level	7.0 Drill bit
Steel tape	12.0 Drill bit
Power drill	Hacksaw
10mm A/F spanner	Suitable wall plugs (not supplied)
Slot screwdriver	Suitable fixings (not supplied)
Pozzi screwdriver	Small electrical screwdriver
4mm A/F Allen key	

2 CHECK HEADROOM

The headroom is the clear vertical height required between the top of the guide rails and any obstruction above the garage door (see *Figure 1* and *Figure 2*). This space is required to house the door curtain, a headroom of 300mm (205mm for the 55 range) is required.

Limited Headroom.

If insufficient headroom is available the door can still be fitted (see your survey sheet) but the shorter guide rails will give a corresponding reduction in door opening height (see *Figure 3*). The curtain will require 1 lath to be removed for every 77mm for the 77 range, 55mm for the 55 range of reduction in the guide height.

PLEASE NOTE; Ensure that the headroom above the guides is clear of any obstructions (especially small protrusions or nail heads) which could cause damage to the door curtain during installation/operation.

NB

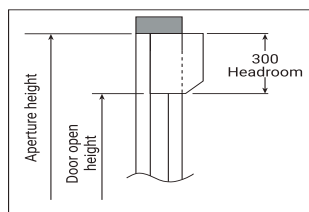


Figure 1

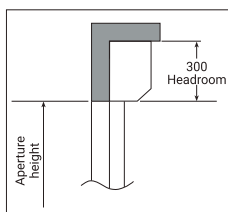


Figure 2

NB: 205mm headroom required for the 55 range

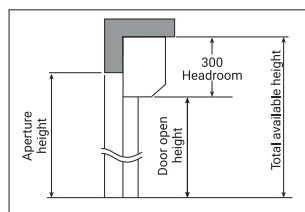


Figure 3

3 PREPARING THE GUIDE RAILS

Select R/H guide rail and slide fully onto the bottom of the square spigot projecting from the R/H end plate, please ensure that the end plate is flush with the face side of the guide rail.

Repeat for the L/H guide rail.

3.1 For fitting within the aperture.

3.1.1 Check guide rail length

Check that guide rails have been supplied to the correct length as per your survey. The correct length is Aperture height less 300mm (205mm for the 55 range) (see *Figure 1*).

3.1.2 Drill fixing holes.

Drill holes through 7.0 diameter and counter drill 12.0 diameter as shown in (*Figure 4*).

Three holes per rail are required, positioned as shown in (*Figure 5*)

PLEASE NOTE; Position holes for best fixing to brickwork.

3.2 For fitting behind the aperture.

3.2.1 Check guide rail length

Check the guide rails have been supplied to the correct length as per your survey.

a. Where headroom of 300mm (205mm for the 55 range) or more is available guide rail length equals aperture height (see *Figure 6*).

b. Where only limited headroom is available guide rail length equals total available height less 300mm (205mm for the 55 range) (see *Figure 7*).

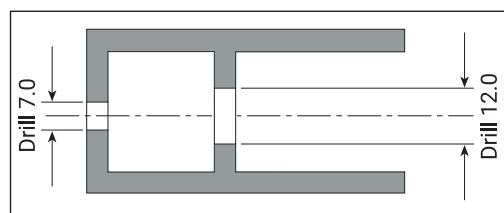


Figure 4

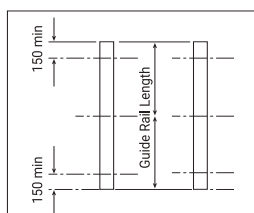


Figure 5

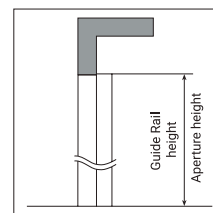


Figure 6

3.2.2 Drill fixing holes

Drill holes through 7.0 diameter and counter drill 12.0 diameter as shown in (Figure 8).

Three holes per rail are required as shown in (Figure 9).

PLEASE NOTE; Position holes for best fixing to brickwork.

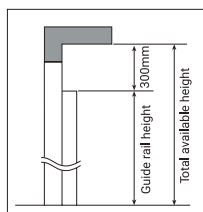


Figure 7

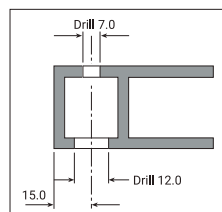


Figure 8

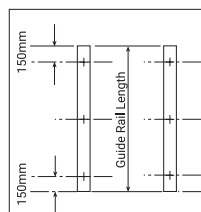


Figure 9

4 ASSEMBLE FRAME

4.1 L/H or R/H motor;

The motor and safe brake are pre-fitted to either L/H or R/H of the barrel as per your survey. Should you want to change the handing you must make certain the safe brake is re-fitted with the same top and bottom as was pre-fitted.

5 INSTALL THE FRAME

You will have drilled your guide rails (section 3) for fitting either (a) Within the aperture (b) Behind the aperture.

Please proceed accordingly. (**SAFETY NOTE; A MINIMUM OF 2 PEOPLE REQUIRED**).

5.1 Fitting within aperture.

For installation within the aperture we strongly recommend the use of a cover box as this covers and protects the door curtain.

5.1.1 If either half or full box (both optional) are supplied it will be fitted during installation.

5.1.2 Lift the frame assembly into position and align with the front of the aperture. Ensure the guide rails are vertical (in both directions) are parallel to each other, at the same height and the correct distance apart.

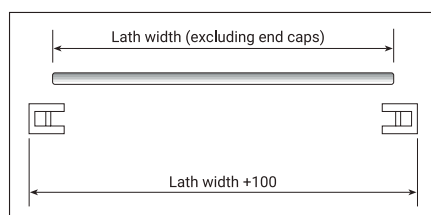


Figure 10

PLEASE NOTE; Some width adjustment is available on the dummy end shaft. The correct distance is shown in (Figure 10).

Ensure the barrel is level by using a spirit level.

5.1.3 Once the frame is correctly positioned, mark and drill for fixings (fixings not supplied).

5.1.4 When the guide rails are securely fixed, double check that they are vertical, parallel and correct distance apart and that the barrel assembly is level.

5.1.5 Fixing the head plates;

Fix the head plates into position ensuring that the head plates are level and that the locating pegs are fully located into the guide section. Fix the securing screws through the back of the head plates and attach securely to the wall. Where a back box is fitted it may be necessary to fix the back box to the opening header to stop any marking of the curtain during door operation. If additional fixings are required in the back box, use countersunk screws, ensuring that the screw heads do not protrude as curtain damage could occur. **NB: Box stiffeners are recommended for the 77 range to assist any flexing the box may have.**

Always ensure that the back box is adequately fixed to eliminate any rubbing of the curtain on the back box during the door operation.

5.2 Fitting behind the aperture.

Lift the frame into position and align centrally with the aperture. Ensure the guide rails are vertical (in both directions) and are parallel to each other, at the same height and the correct distance apart.

PLEASE NOTE; Some width adjustment is available on the dummy end shaft. The correct distance is shown in (figure 10).

Ensure the barrel is level using a spirit level.

5.2.1 Once the frame is correctly positioned, mark and drill for fixings (fixings not supplied).

5.2.2 When the guide rails are securely fixed, double check for vertical, parallel and correct spacing and that the barrel is level.

PLEASE NOTE; Once the frame is fully fitted and checked, use the plastic plugs supplied to cover the fixing holes in the guides to give a fully finished effect.

5.2.3 Fixing the head plates;

Fix the head plates into position ensuring that the head plates are level and that the locating pegs are fully located into the guide section. Fix the securing screws through the back of the head plate and attach securely to the wall. Where a back box is fitted it may be necessary to fix the back box to the opening header to stop any marking of the curtain during door operation. If additional fixings are required in the back box, use countersunk screws, ensuring that the screw heads do not protrude, as curtain damage could occur.

6 INSTALLING THE CURTAIN ASSEMBLY

6.1 Carefully unwrap and remove the outer bubble wrap

6.2 Carefully position the curtain assembly in the door aperture, below the barrel as shown in (Figure 11). Slit the packaging to gain access to the curtain but leave some of the packaging to protect the curtain.

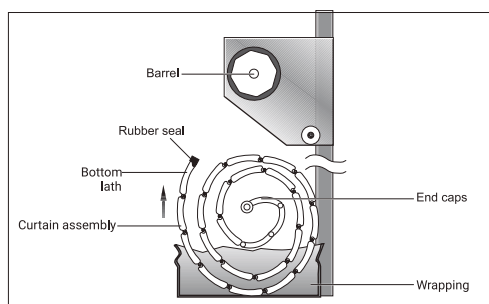


Figure 11

6.3 SAFETY NOTE; A MINIMUM OF TWO PEOPLE ARE REQUIRED FOR THIS PROCEDURE TO ENSURE SAFE HANDLING

6.3.1 It is essential to place sections of the bubble wrap or card over the barrel to prevent marking the curtain as it is installed.

- 6.3.2 Using a minimum of two people, carefully lift the curtain assembly up level with the barrel. Practise has shown that it is best to place one hand on the barrel, keeping that arm straight, and support the curtain roll on that shoulder. (Wearing gloves) (see Figure 13).
- 6.3.3 Feed the bottom lath over the top of the barrel and down between the guide rails (see Figure 12) taking care not to scuff the curtain assembly. Proceed until the full curtain has been fed over the barrel and the bottom rail reaches the floor.

PLEASE NOTE; DO NOT LET THE CURTAIN FREE FALL OVER THE BARREL AS THIS WILL RESULT IN DAMAGE TO THE CURTAIN.

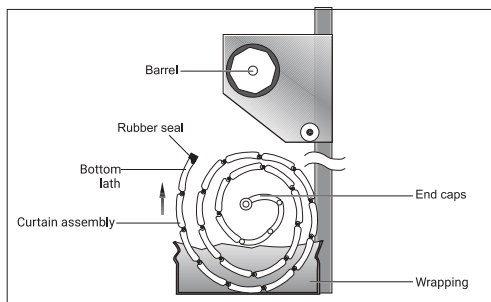


Figure 11

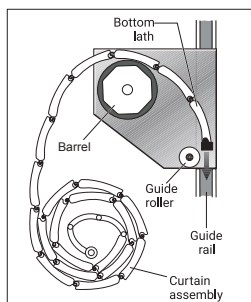


Figure 12

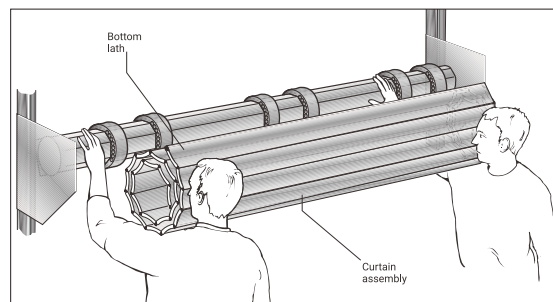


Figure 13

7 ATTACH THE CURTAIN

- 7.1 The motor override is factory fitted. See figure 14 for reference.
- 7.2 Position the barrel.
Use the motor override to rotate the barrel. Rotate the barrel until the locking joint attachment holes are positioned as shown in (Figure 15).
- 7.3 There are a pair of barrel rings positioned on the barrel for each locking joint, the number of barrel rings will vary according to the curtain width. Clamp the outer most rings to the barrel app 150mm in from each end and equally space the other pairs as shown in (Figure 16). (There are 2 rings for each locking joint for the 55 range and 1 ring for each barrel ring for the 77 range) NB: Take great care when drilling these holes and avoid drilling into the motor.
Slide each locking joint along the top lath and engage the locking pin into the appropriate hole in the respective clamped locking ring.
Slide the loose rings to engage the other end of the locking joint pin and secure the loose barrel ring to the barrel using the fixing supplied. (see Figure 16).

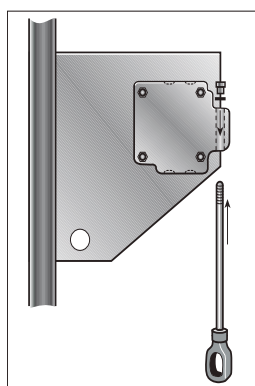


Figure 14

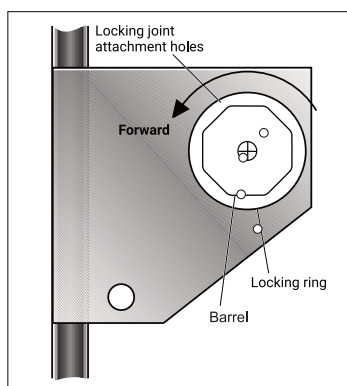


Figure 15

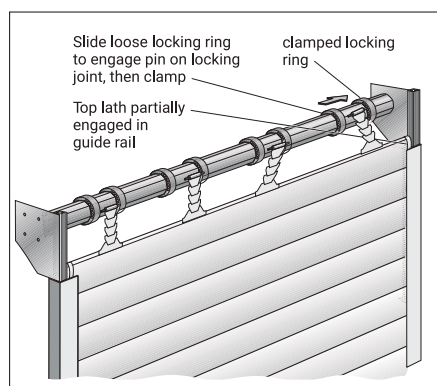


Figure 16

- 7.4 Round rings.
The rings are pre-fixed on the barrel. To connect the rings, take the reach and line it up with a ring and fully insert locking pin into the locating hole.

8 CONNECT THE ELECTRICS

- 8.1 ThermoSecure offer varying types of control systems from several manufacturers. Your ThermoSecure door control system instructions are included as a separate cover within the respective control unit packaging box.
- 8.2 Which ever control system you have chosen; the control box is to be fixed to a wall.
Make sure that the box is mounted onto internal brickwork and is firmly fixed. The unit must be installed With the courtesy light at the top.

PLEASE NOTE; You must follow the manufacturers instructions. Each of the control systems that ThermoSecure provide are to be installed inside the garage as they are not IP rated.

9 SETTING THE CURTAIN OPEN AND CLOSE POSITIONS

- 9.1 Limit switch adjustment. (see *Figure 17*).
The limits are set at the factory to 8 revolutions of the tube. An Allen key type tool is supplied for the Adjustment.
- 9.2 Adjustment Up.
Run the motor up, if the motor stops short turn the adjusting screw towards the + direction. This will allow the motor to run further in the up direction.
If the motor runs too high, turn the adjustment screw towards the minus – direction until the motor stops. Set the open position as shown in (*Figure 18*).
- 9.3 Adjustment Down
Run the motor down, if the motor stops short turn the adjustment screw towards the + direction. If the Motor runs too far turn the adjustment screw towards the – direction.
- 9.4. Checking the Limit Position
Run the motor in both directions until the limit switches cut out the motor travel.
Carry out any fine adjustments. One turn of the adjustment screw corresponds to approximately 70 degree turn on the barrel.

In order that the locking joints operate effectively, the position of the barrel in the closed position needs To be finely adjusted.

Use the manual override to move the curtain downwards until the bottom lath is pushed firmly against the ground and the top lath are pushed against the head. The locking joints should be sprung into the locked position.

Do not adjust past this position as this will impose excessive loads on the mechanism.

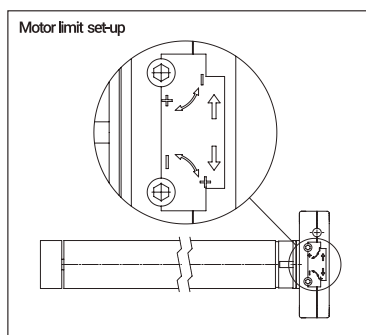


Figure 17

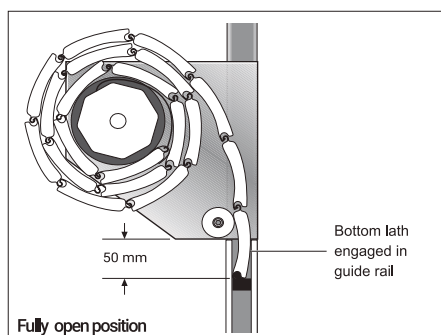


Figure 18

10 OPERATING INSTRUCTIONS

10.1 General Operation.

Your ThermoSecure door can be operated from outside or inside the garage using the remote control handset or from inside the garage using the up/down buttons on the control box.

CAUTION; Activate your door only when the door is in full view, free of obstructions and operator is properly adjusted. No one should enter or leave the garage whilst the door is in motion.

DO NOT ALLOW CHILDREN TO PLAY NEAR THE DOOR.

10.2 In the event of power failure.

If the door is not used during the power failure then no action has to be taken as the unit will reset itself when the power is restored.

If required the door can be operated manually by using the winding handle supplied, for which you have to gain access to the inside of the garage.

insert the hook end of the winding handle into the motor override, this is projecting downwards from the motor at one end of the door curtain. Rotate the handle to operate the door to open and close.

IMPORTANT; If the garage has no service door then a Low-level Emergency Release kit (optional) is required. This should be fitted same time as the door installation. This enables the manual operation of the door to be done from the outside of the garage.

PLEASE NOTE; When closing the door manually ensure that the locking joints are set in the fully closed position.

11 MAINTENANCE

11.1 Your ThermoSecure door is essentially a low maintenance product but certain simple checks, carried out regularly, will ensure trouble free operation.

Cleaning;

Periodically wash the door curtain with warm soapy water using a soft cloth.

Check and clean out the guide rails, removing any accumulated leaves and debris.

Ensure your door closes onto a level clean surface.

12 PRODUCT GUARANTEE

You will find our comprehensive guarantee on our web site. www.thermosecure.co.uk/downloads

Contact Details

Telephone: 01302 499 603

Email: sales@thermosecure.co.uk

Address: ThermoSecure Ltd, Brunel Road, Doncaster, DN5 8PT

We have a comprehensive range of optional features that may enhance your use of your ThermoSecure products. Please see these on our website: www.thermosecure.co.uk